

EC50A

ARTICLE PROPERTIES

TYPE	Topydic series shaft incremental
SIZE	Ø 50

TECHNICAL DATA

SHAFT DIAMETER	Ø 6g6 mm / Ø 8g6 mm / Ø 10g6 mm / Ø 12g6 mm / Ø 1/4" mm / Ø 3/8" mm	STARTING TORQUE	IP65: < 0.01 N·m IP67: < 0.05 N·m
SPEED	12000 rpm (without oil seal) 6000 rpm (with oil seal)	BODY MATERIAL	Aluminum
BEARING LIFE	10 ⁹ revolution	HOUSING MATERIAL	Aluminum
MOMENT OF INERTIA	1.9 x 10 ⁻⁶ kgm ²	WEIGHT	400 g

ENVIRONMENTAL CONDITIONS

PROTECTION CLASS	IP65 (without oil seal) IP67 (with oil seal)	OPERATING TEMPERATURE	-40 ... +85 °C
MAX LOAD CAPACITY OF THE SHAFT	40 N axial, 80 N radial	STORAGE TEMPERATURE	-45 ... +90 °C
SHOCK RESISTANCE (EN 60068-2-27)	50 g, 11 ms	RELATIVE HUMIDITY / CONDENSATION	90%, condensation not permitted
VIBRATION RESISTANCE (EN 60068-2-6)	10 g, 10 ... 2000 Hz		

Regular resolution: 100, 200, 300, 360, 400, 500, 512, 600, 800, 1000, 1024, 1200, 1250, 2000, 2048, 2500, 3600, 4096, 5000
Attention: the products with above resolutions are available from stock, others on request.

ELECTRICAL PARAMETERS

OUTPUT CIRCUIT	RS422	PUSH-PULL	NPN open collector
SUPPLY VOLTAGE	5±0.25 or 10 ... 30 V DC	10 ... 30 V DC	5 ... 30 V DC
POWER CONSUMPTION (NO LOAD)	Typ. 40 mA, Max. 90 mA	Typ. 50 mA, Max. 100 mA	Typ. 40 mA, Max. 90 mA
PERMISSIBLE LOAD (CHANNEL)	Max. ±20 mA	Max. ±30 mA	Max. ±20 mA
PULSE FREQUENCY	Max. 300 kHz	Max. 300 kHz	Max. 300 kHz
SIGNAL LEVEL HIGH	Min. 2.5 V	Min. U _b -1 V	Min. U _b -2.5 V
SIGNAL LEVEL LOW	Max. 0.5 V	Max. 0.5 V	Max. 0.5 V
RISE TIME TR	Max. 200 ns	Max. 1 µs	Max. 1 µs
FALL TIME TF	Max. 200 ns	Max. 1 µs	Max. 1 µs

EC50A

STANDARDS AND DIRECTIVES

LOW-VOLTAGE SWITCHGEAR AND CONTROLGEAR EN IEC 61000-6-2
EN IEC 61000-6-4

APPROVALS

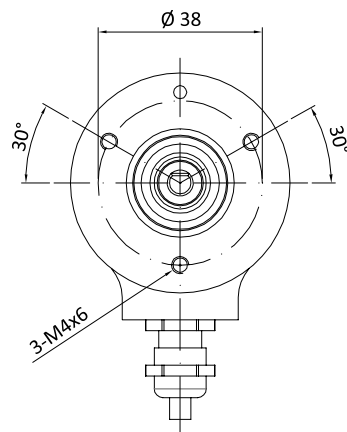
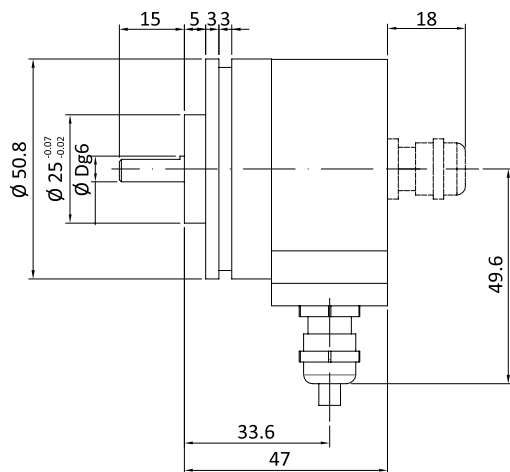


TERMINAL ASSIGNMENT

Signal	0 V	+U _B	A	\bar{A}	B	\bar{B}	Z	\bar{Z}	Shield
Color	WH	BN	GN	YE	GY	PK	BU	RD	\perp
Pin (12 pin)	10	12	5	6	8	1	3	4	PH
Pin (5 pin)	1	2	3	-	4	-	5	-	PH
Pin (8 pin)	1	2	3	4	5	6	7	8	PH

DIMENSIONS (mm)

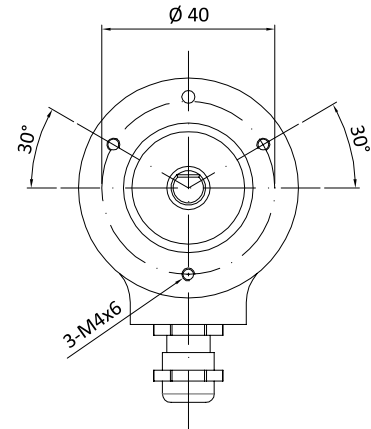
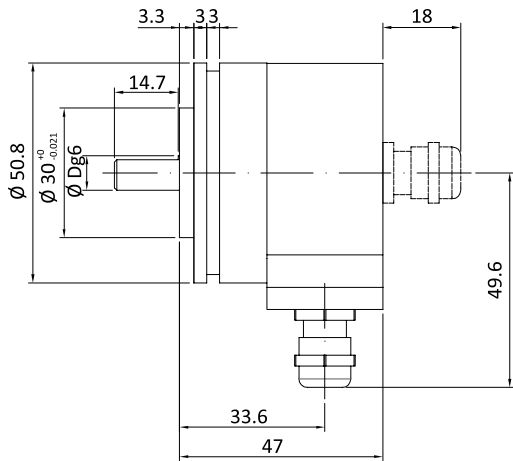
EC50A6X



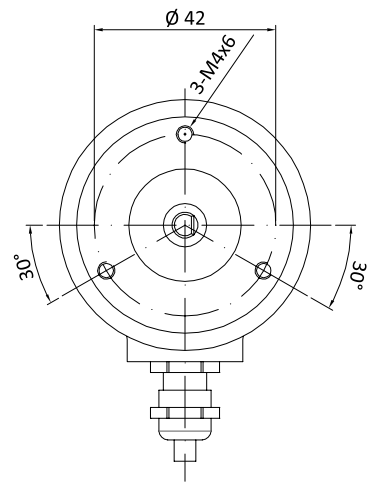
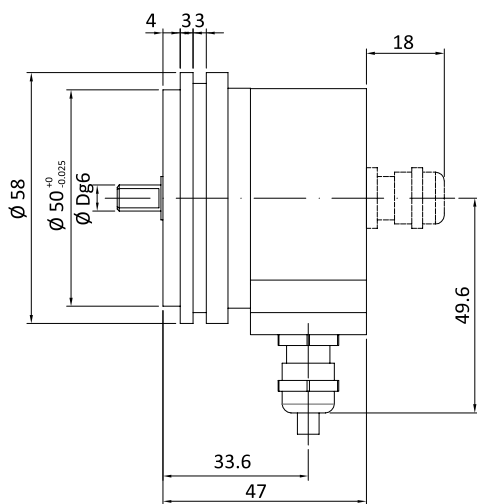
EC50A

DIMENSIONS (mm)

EC50A



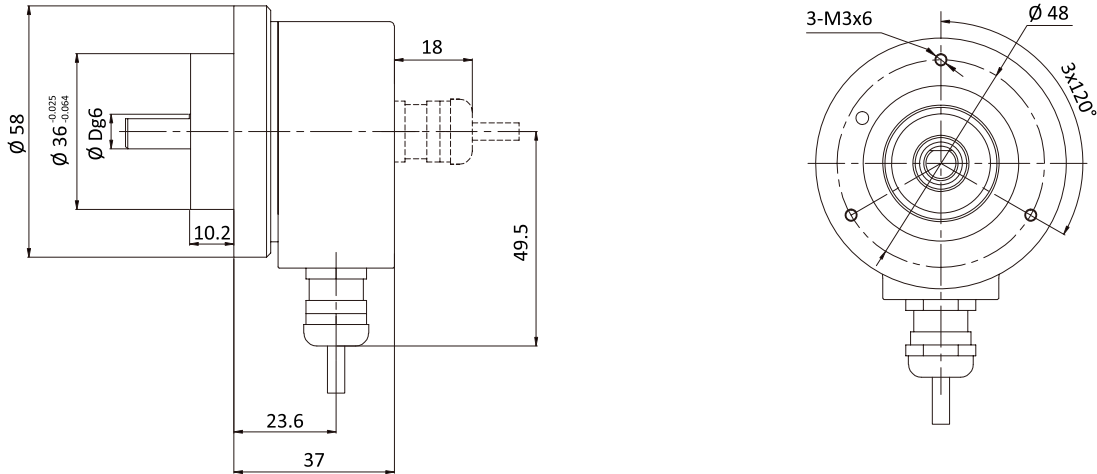
EC50B



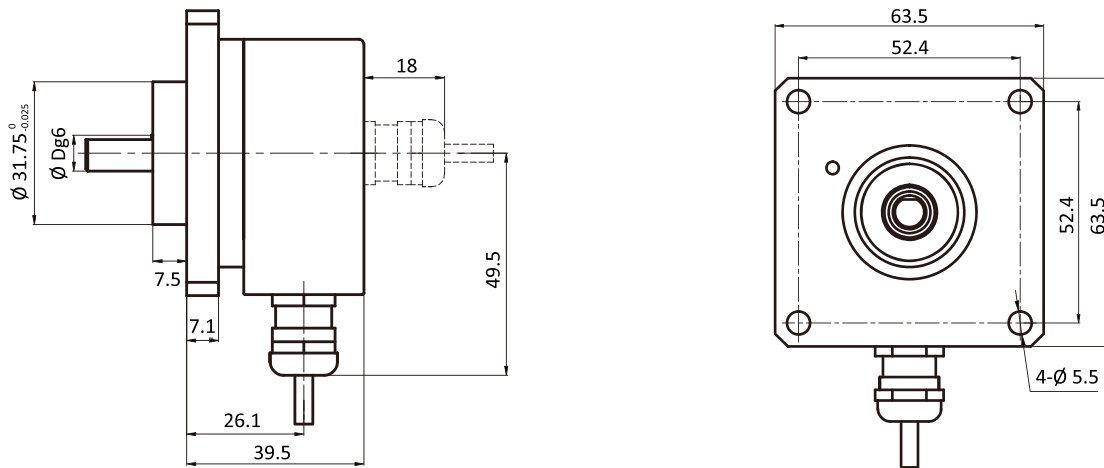
EC50A

DIMENSIONS (mm)

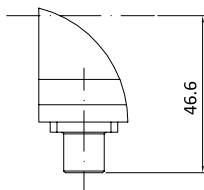
EC50C



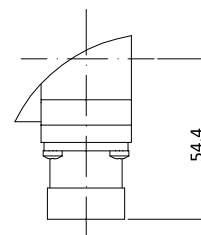
EC50D



M12 connector



M23 connector

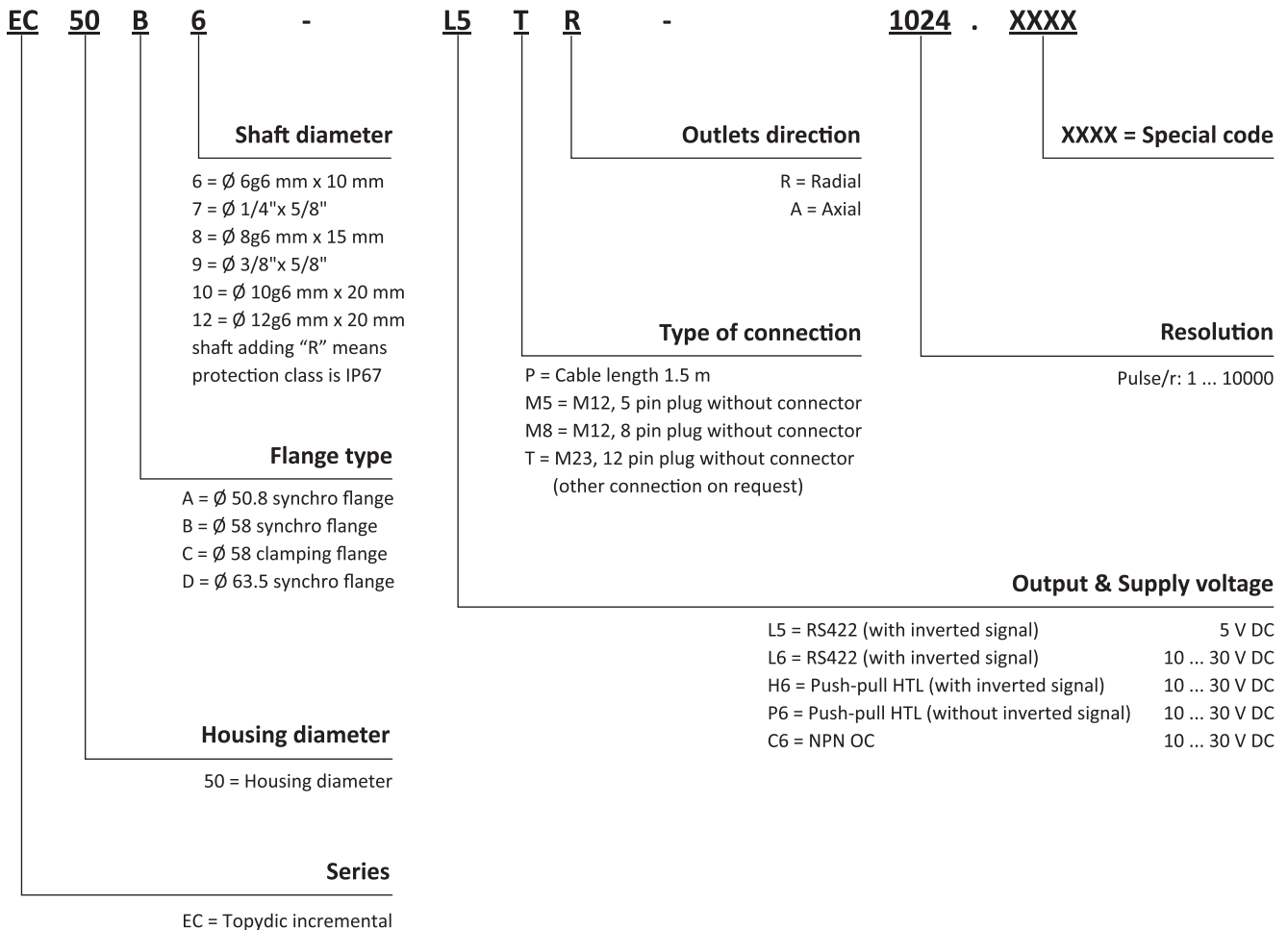


EC50A

TOP VIEW OF PIN PLUG

Connector type	5 pin M12 connector	8 pin M12 connector	12 pin M23 connector	5 pin M12 connector	8 pin M12 connector
Pin plug					
Matched connector	M125PSF-0020-W 5-core pre-molded connector with 2 m PUR cable	M128PSF-0020-W 8-core pre-molded connector with 2 m PUR cable	TMSP1612F Fielc attachable connector	TMSP125PF Fielc attachable connector	TMSP128PF Fielc attachable connector

ORDER CODE



EC50A

SALES AND SERVICE

Tianjin Elco Automation Co., Ltd

No. 12, 4th XEDA Branch Road
Xiqing Economic-Technological Development Area
Tianjin 300385, P.R. China
Office Phone: 022 23788282
E-Mail: info@elco.cn
www.elco-holding.com.cn

Elco Industrie Automation GmbH

Benzstrasse 7
71720 Oberstenfeld,
Deutschland
Office Phone: +49 7062 / 6599-260
E-Mail: info@elco-automation.de
www.elco-automation.de

Elco Automation LLC

1097 Highway 101 South, Suite D-3 Greer
South Carolina 29651, USA
Office Phone: +1 864-581-7431
E-Mail: infousa@elcoautomation.com
www.elcoautomation.com

Elco Industrial Automation Pvt Ltd.

No 80, 1st Main, 2nd Cross, Royal Enclave,
Sidedahalli, Nagasandra Bangalore 560073, India
Office Phone: +91-7259931777
E-Mail: info@elcoautomation.in
www.elcoautomation.com

Elco Automation Korea Ltd.

706, 17 Daehak 4-ro, Yeongtong-gu, Suwon-si,
Gyeonggi-do, Republic of Korea, 16226
Office Phone: +82-31-216-7890
E-Mail: sales@elcoautomation.co.kr
www.elcoautomation.com