

PNMM58-ND

ARTICLE PROPERTIES

TYPE	Profibus interface absolute multiturn encoder
SIZE	Ø 58

TECHNICAL DATA

SHAFT DIAMETER	Ø 6g6 mm / Ø 8g6 mm Ø 10g6 mm	STARTING TORQUE	< 0.01 N·m
HOLLOW SHAFT DIAMETER	Ø 8H7 mm / Ø 10H7 mm / Ø 12H7 mm / Ø 15H7 mm	BODY MATERIAL	Aluminum
SPEED	6000 rpm	HOUSING MATERIAL	Aluminum
BEARING LIFE	10 ⁹ revolution	WEIGHT	360 ... 750 g
MOMENT OF INERTIA	1.8 x 10 ⁻⁶ kgm ²		

ENVIRONMENTAL CONDITIONS

PROTECTION CLASS	IP65	OPERATING TEMPERATURE	-40 ... +80 °C
MAX LOAD CAPACITY OF THE SHAFT	80 N axial, 160 N radial	STORAGE TEMPERATURE	-45 ... +85 °C
SHOCK RESISTANCE (EN 60068-2-27)	50 g, 11 ms	RELATIVE HUMIDITY / CONDENSATION	90%, condensation not permitted
VIBRATION RESISTANCE (EN 60068-2-6)	10 g, 10 ... 2000 Hz		

ELECTRICAL PARAMETERS

INTERFACE	PROFINET	SUPPLY VOLTAGE	10 ... 30 V DC
PROGRAMMING FUNCTION	Resolution, speed value, count direction, preset value	POWER CONSUMPTION	≤ 230 mA ... 10 V DC, ≤ 100 mA ... 24 V DC
DATA TRANSMISSION RATE	10/100 Mbit/s	TOTAL POWER CONSUMPTION	≤ 2.5 W
INTERFACE CYCLE TIME	> 1 ms	STARTUP TIME	< 250 ms
MAX. NUMBER OF LAPS	4096 (12 bits)	LINEARITY (INL)	± 0.0439°
MAX. RESOLUTION	8192 (13 bits, Max.19 bits)		

ELECTRICAL CONNECTION

CONNECTION ORIENTATION	Radial	POWER SUPPLY	M12, 4-pin, A-coded, Male
BUS PORT 1	M12, 4-pin, D-coded, Female	BUS PORT 2	M12, 4-pin, D-coded, Female

PNMM58-ND

STANDARDS AND DIRECTIVES

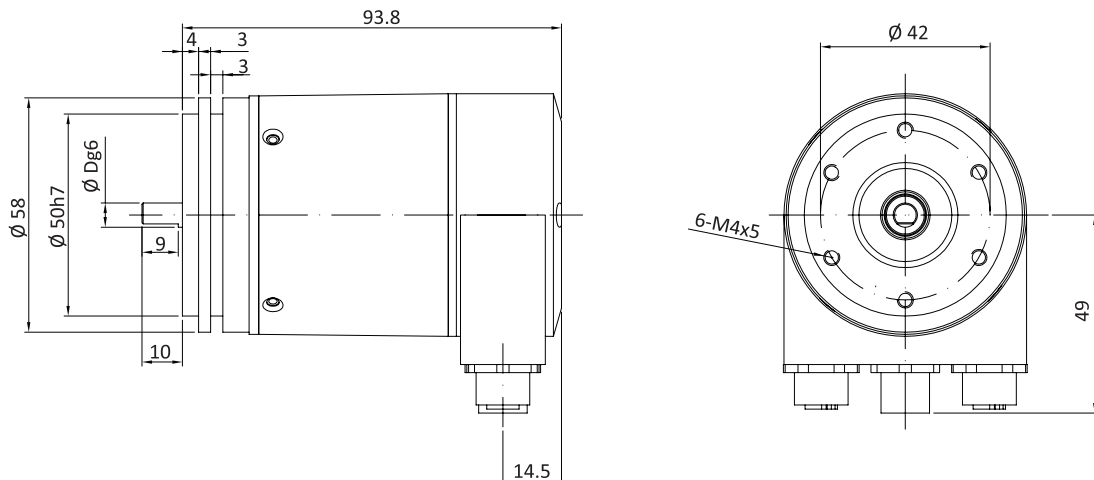
LOW-VOLTAGE SWITCHGEAR AND CONTROLGEAR EN IEC 61000-6-2
EN IEC 61000-6-4

TERMINAL ASSIGNMENT

Function	M12 connector						
Bus Port 1	Signal	Transmit data+	Receive data+	Transmit data-	Receive data-		Bus Port 1
	Abbreviation	TxD+	RxD+	TxD-	RxD-		
	Pin number	1	2	3	4	D coded	
Power Supply	Signal	Voltage+	-	Voltage-	-		Power Supply
	Abbreviation	+V	-	0 V	-		
	Pin number	1	2	3	4	A coded	
Bus Port 2	Signal	Transmit data+	Receive data+	Transmit data-	Receive data-		Bus Port 2
	Abbreviation	TxD+	RxD+	TxD-	RxD-		
	Pin number	1	2	3	4	D coded	

DIMENSIONS (mm)

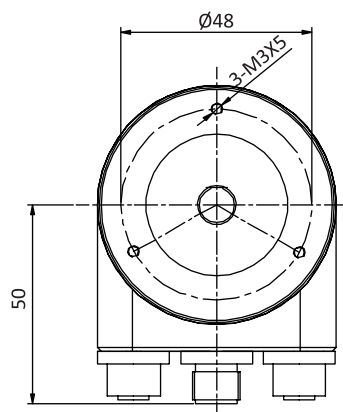
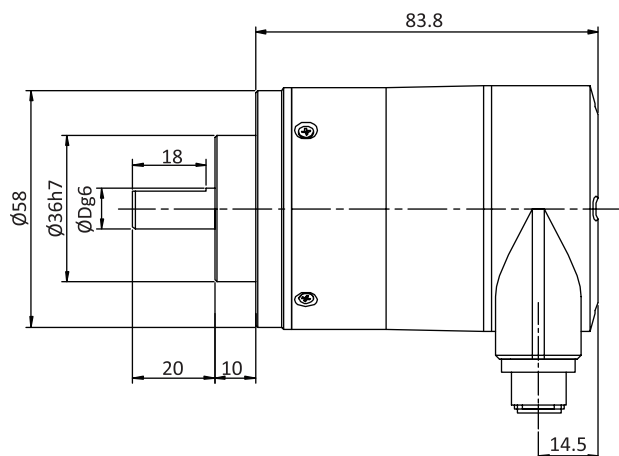
PNMM58B



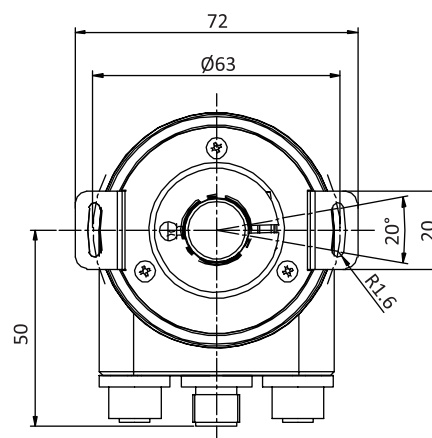
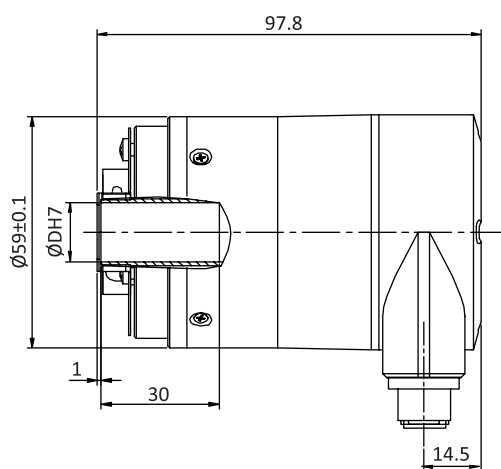
PNMM58-ND

DIMENSIONS (mm)

PNMM58C

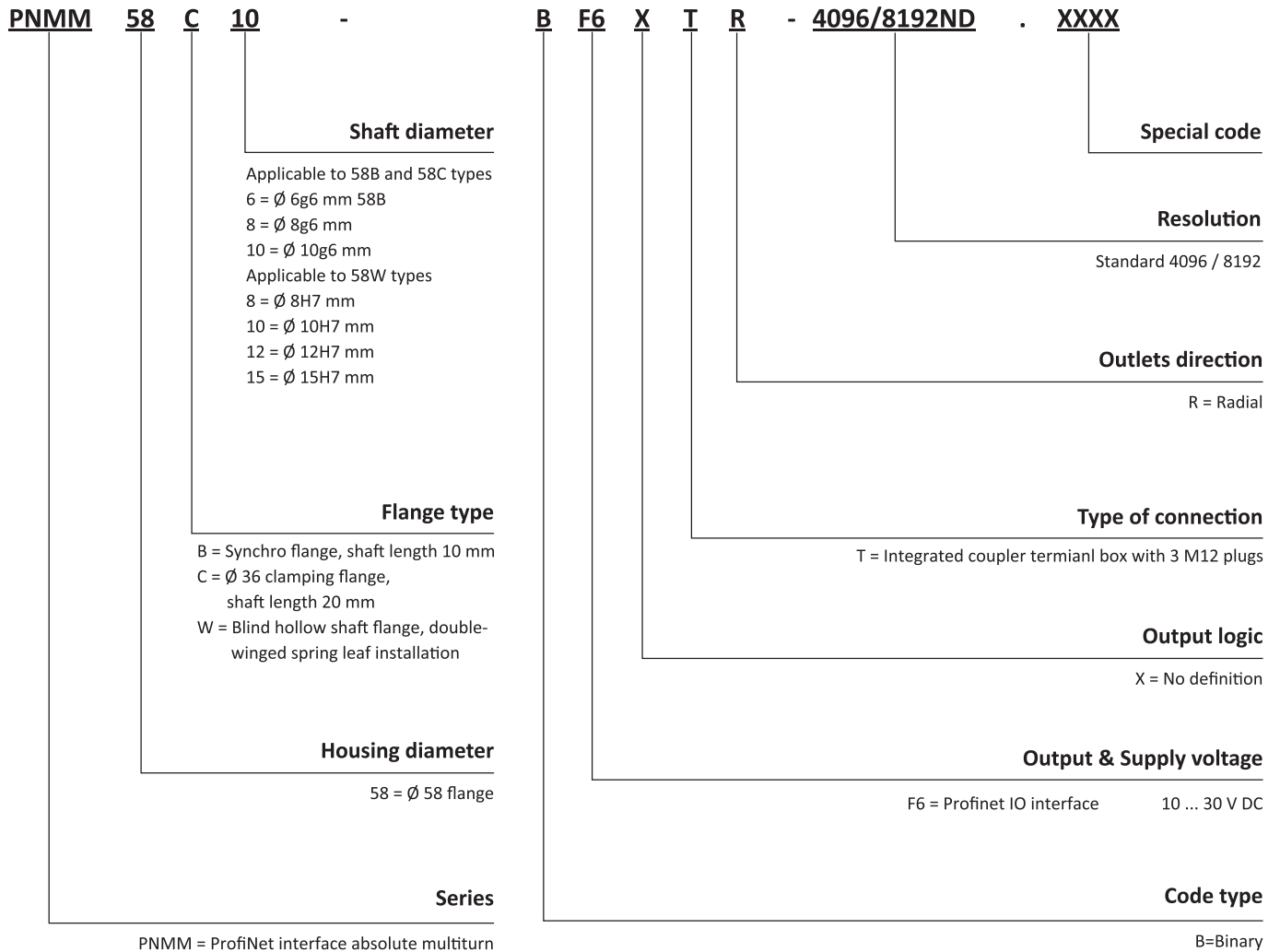


PNMM58W



PNMM58-ND

ORDER CODE



Matching connectors code:
 Bus input connector: TMSP12FD-M4
 Bus output connector: TMSP12FD-M4
 Power supply connector: TMSP12F-F4

PNMM58-ND

SALES AND SERVICE

Tianjin Elco Automation Co., Ltd

No. 12, 4th XEDA Branch Road
Xiqing Economic-Technological Development Area
Tianjin 300385, P.R. China
Office Phone: 022 23788282
E-Mail: info@elco.cn
www.elcoautomation.com.cn

Elco Industrie Automation GmbH

Häldenfeld 8
71723 Großbottwar
Germany
Office Phone: +49 7062 / 6599-260
E-Mail: info@elco-automation.de
www.elco-automation.de

Elco Automation LLC

1097 Highway 101 South, Suite D-3 Greer
South Carolina 29651, USA
Office Phone: +1 864-581-7431
E-Mail: infousa@elcoautomation.com
www.elcoautomation.com

Elco Industrial Automation Pvt Ltd.

No 80, 1st Main, 2nd Cross, Royal Enclave,
Sidedahalli, Nagasandra Bangalore 560073, India
Office Phone: +91-7259931777
E-Mail: info@elcoautomation.in
www.elcoautomation.com

Elco Automation Korea Ltd.

706, 17 Daehak 4-ro, Yeongtong-gu, Suwon-si,
Gyeonggi-do, Republic of Korea, 16226
Office Phone: +82-31-216-7890
E-Mail: sales@elcoautomation.co.kr
www.elcoautomation.com